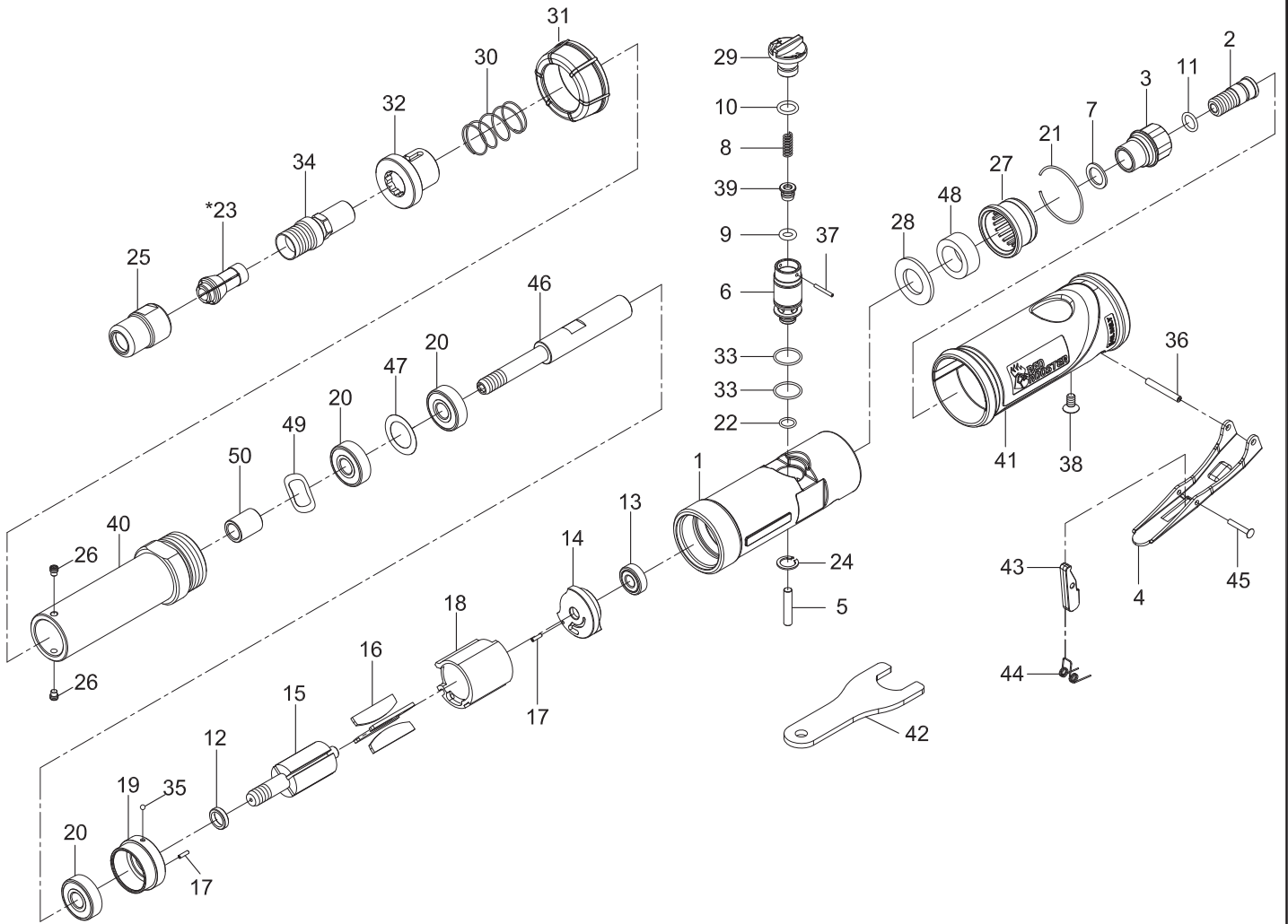


RRG-260REL EXTENDED DIE GRINDER



Index No.	Parts No.	Description	Index No.	Parts No.	Description
1	537001	Housing	25	52225-12	Collet Nut
2	33-301341	Fixed Shaft	26	5E4035	Socket Set Screw (2)
3	522203-21	Air Inlet	27	534011	Deflector
4	537004	Throttle Lever	28	522250	Damping Material
5	534005	Valve Shaft	29	52-522738	Regulator
6	537006	Valve	30	5E4033	Spring
7	522243	Washer	31	537036	Housing Cap
8	522208	Spring	32	5E4032	Lock Seat
9	30107	O-Ring (3.8x1.9)	33	52236	O-Ring (2) (10.5x1)
10	40333-12	O-Ring (6x1.5)	34	5E4034	Collet Holder
11	OR00705105	O-Ring (7.5x1.5)	35	52245	Steel Ball (3/32")
12	52212	Rotor Spacer	36	50102	Spring Pin (3x22L)
13	052213	Ball Bearing (696zz)	37	SP01051200	Spring Pin (1.5x12L)
14	52214	Rear End Plate	38	5G-321V30	Screw (M4x8L)
15	534015	Rotor	39	522240	Throttle Valve
16	534016	Vane (4)	40	5E4040	Extension Housing
17	30117	Spring Pin (2) (1.5x6L)	41	537052	Grip
18	534018	Cylinder	42	56227	Spanner (17mm)
19	52219	Front End Plate	43	537002	Locker
20	030120	Ball Bearing (3) (608zz)	44	5D-6415S07	Spring
21	534027	Retaining Ring	45	5G-360V06	Rivet
22	OR00600100	O-Ring (6x1)	46	5E4041	Extension Bar
*23	51224-11	Collet (1/4")	47	5E4044	Washer
	51224-12	Collet (1/8")	48	534037	Damping Material
	51224-13	Collet (6mm)	49	BWW608	Bearing Wave Washer (BWW608)
	51224-14	Collet (3mm)	50	5E4042	Bushing
24	ISTW-8	Inverted Retaining Ring (ISTW-8)			

*Optional parts

5E70-RAM