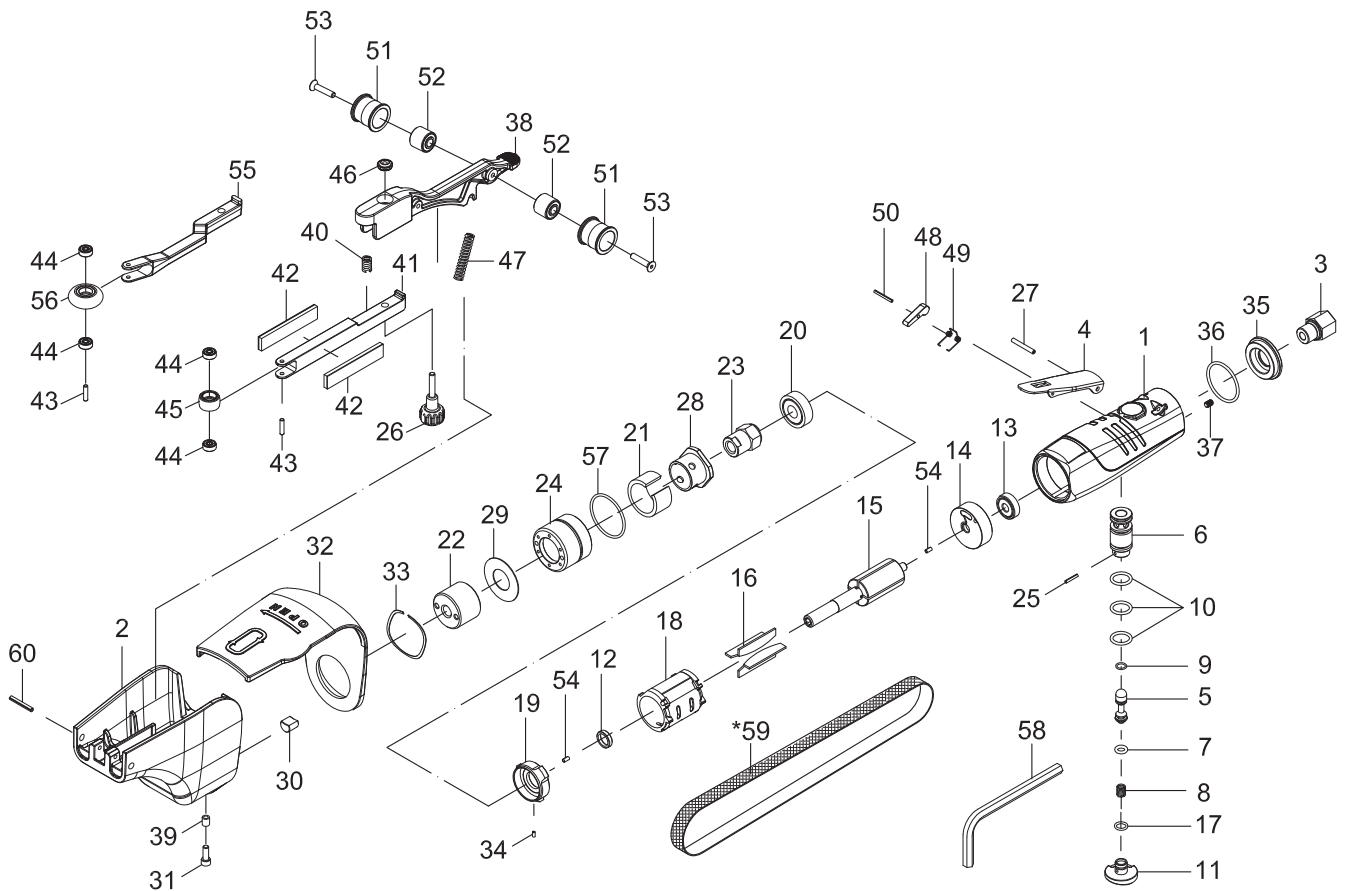


# RRG-3612 BELT SANDER



Index No.	Parts No.	Description	Index No.	Parts No.	Description
1	51-552501	Motor Housing	32	6U-610530	Cover
2	6U-610502	Housing	33	6U-610531	Wave Spring
3	51203	Air Inlet	34	51217	Spring Pin (2*4L)
4	51-552504	Throttle Lever	35	6U-610507	Block Plate
5	51-552505	Valve Shaft	36	P91222	O-Ring (28.5*2)
6	51-552506	Bushing	37	70122	Screw (M4*6L)
7	72007	O-Ring (3.9*2.2)	38	6U-610529	Idler Arm
8	30108	Spring	39	6U-610546	Screw Thread Inserts (#8-32UNC*1.5D)
9	OR00600100	O-Ring (6*1)	40	6U-610308	Spring
10	706107	O-Ring(3) (12*2)	41	6U-610541	Contact Arm (12mm)
11	51-3011B10	Air Regulator Knob	42	6U-610343	Platen Pads(2)
12	6U-610512	Spacer	43	PN03001208	Pin(2) (3*12.8)
13	030113	Ball Bearing (626zz)	44	0623ZZ	Ball Bearing(4) (623zz)
14	6U-610514	Rear End Plate	45	6U-610334-0002S	Idle Pulley
15	6U-610515	Rotor	46	6U-610511	Non-locking Threads
16	6U-610516	Rotor Blade (4)	47	6U-610527	Spring
17	72804	O-Ring (6.5*1.5)	48	51540	Safety Bar
18	6U-610518	Cylinder	49	51541	Spring
19	6U-610519	Front End Plate	50	51542	Spring Pin (2*18L)
20	051220	Ball Bearing (6000zz)	51	6U-610524	Wheel(2)
21	6U-610517	Damping Material	52	0DW4K2X-1	Ball Bearing(2) (DW4K2X)
22	6U-610522	Drive Wheel	53	6U-610521	Screw(2) (#8-32UNC*7/8")
23	6U-610523	Rotor Nut	54	70117-13	Spring Pin(2) (2.5*5L)
24	6U-610520	Lock Ring	55	6V-610541	Contact Arm (6mm)
25	SP02001200	Spring Pin (2*12L)	56	6V-620134-0002S	Idle Pulley
26	6T-620139-0018S	Adjustment Knob	57	OR03203108	O-Ring (32.3*1.8)
27	50102	Spring Pin (3*22L)	58	10011	Hex. Key Wrench (9/64")
28	6U-610513	Air Control Ring	60	SP03022202	Spring Pin (1/8" *7/8"L)
29	6U-610526	Screen			
30	6U-610323	Guard Body Lock			
31	6U-610509	Screw (#8-32UNC*7/16")			

\*Optional parts

6Z-6105-0001