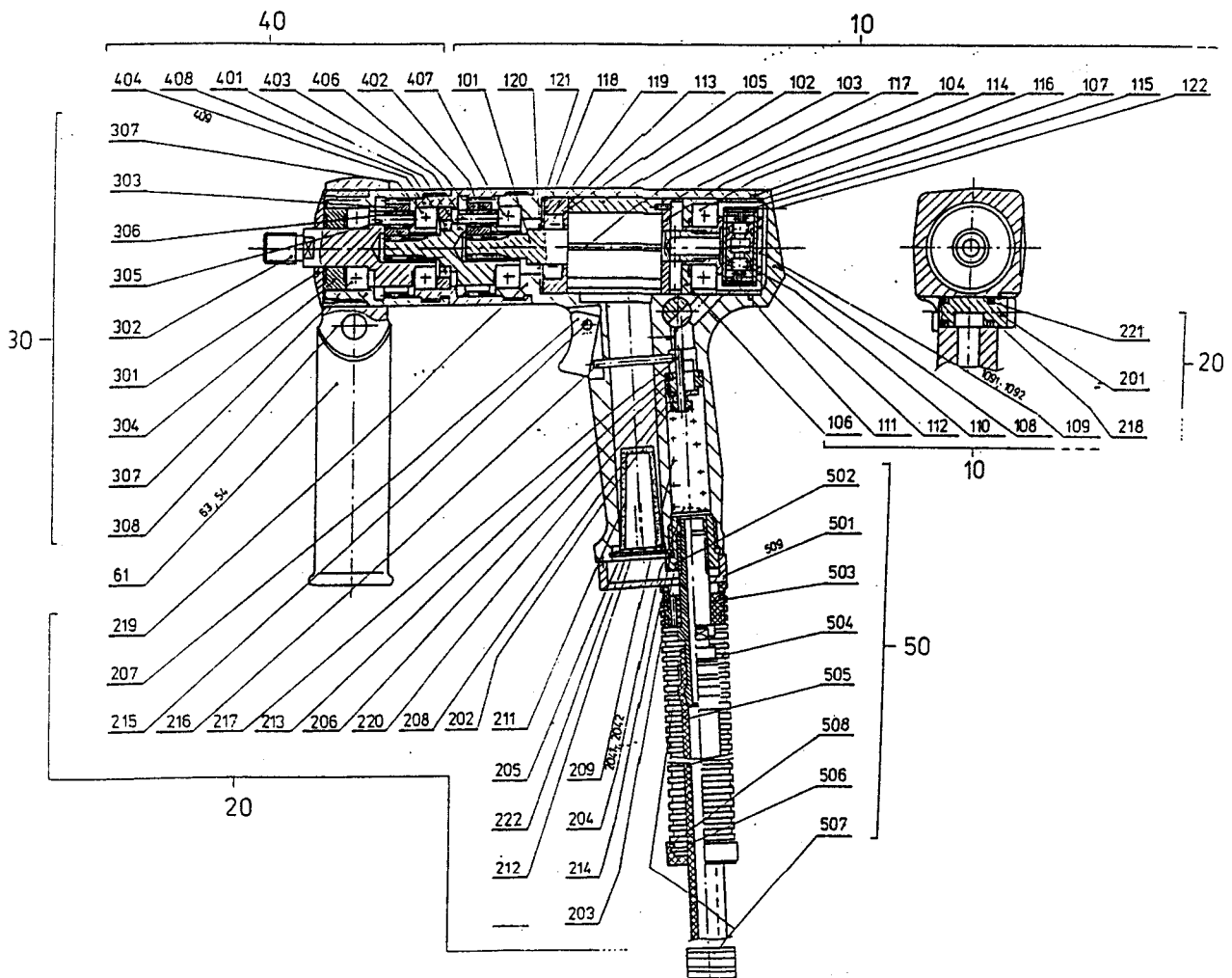


# Red Rooster Drill RRI-2116 P



# Red Rooster Drill RRI-2116 P

Pos	Description	Part. no.	Qty.
10	MOTOR ASSEMBLY	2116-010-00	1
101	ROTOR	21160101-00	1
102	CYLINDER	2116-102-00	1
103	ROTOR BLADE	2116-103-00	4
104	LOWER PLATE	2116-104-00	1
105	UPPER PLATE	2116-105-00	1
106	BUSHING	2116-106-00	1
107	BUSHING	2116-107-00	1
108	MOTOR CASE COVER	2116-108-00	1
109	GOVERNOR BODY	2116-109-00	1
110	GOVERNOR WEIGHT 12-003	2116-110-00	2
111	CAP	2116-111-00	1
112	PLATE SPRING	2116-112-00	2
113	BALL BEARING 16002	2116-113-00	1
114	BALL BEARING 6202Z	2116-114-00	1
115	SNAP RING 12	2116-115-00	2
116	O-RING 36X2	2116-116-00	1
117	PIN 2X16	2116-117-00	1
118	ROTOR RING	2116-118-00	1
119	PLATE SPRING	2116-119-00	1
120	SNAP RING 15	2116-120-00	1
121	PLATE SPRING	2116-121-00	1
122	HEX. SCREW M5X16	2116-122-00	4
20	MOTOR CASE ASSY	2116-020-99	1
201	REGULATOR	2116-201-00	1
202	RING	2116-202-00	1
203	HOSE JOINT	2116-203-00	1
204	STRAINER	2116-204-00	1
205	BUSHING	2116-205-00	1
206	STRAINER	2116-206-00	1
207	THROTTLE LEVER	2116-207-00	1
208	THROTTLE VALVE	2116-208-00	1
209	THROTTLE SPRING	2116-209-00	1
211	SINTERBRONZE FILTER	2116-211-00	1
212	SNAP RING 22	2116-212-00	1
213	O-RING 12X2	3335-004-00	1
214	O-RING 16X2	3320-008-00	1
215	PIN 3X25	2116-215-00	1

Pos	Description	Part. no.	Qty.
216	THROTTLE PIN 3.5x34x8	2116-216-00	1
217	THROTTLE PIN 3X23.8	2116-217-00	1
218	RING 12	2116-218-00	1
219	MOTOR CASE	2116-219-00	1
220	PIN 2X6	2116-220-00	1
221	O-RING 8X12	2116-221-00	1
222	STRAINER	2116-222-00	2
30	FRONT GEAR CASE ASSEMBLY	2116-301-00	1
301	FRONT COVER	2116-301-00	1
302	MAIN SHAFT 1/2X20UNF	2116-302-00	1
303	PLANET GEAR	2116-303-00	3
304	SPACER RING	2116-304-00	1
305	PIN	2116-305-00	3
306	NEEDLE ROLLER 2X9.8	2116-306-00	30
307	BALL BEARING 6003 ZZ	2116-307-00	3
308	INTERNAL GEAR (B)	2116-308-00	1
40	MIDDLE GEAR CASE ASSEMBLY	2116-040-99	1
401	DRIVER	2116-401-00	1
402	PLANET GEAR (A)	2116-402-00	3
403	PIN	2116-403-00	3
404	INTERNAL GEAR (A)	2116-404-00	1
406	NEEDLE ROLLER 2X9.8	2116-406-00	30
407	BALL BEARING 6003 ZZ	2116-407-00	1
408	BALL BEARING 61802 SKF	2116-408-00	1
409	GEAR CASE	2116-409-00	1
50	HOSE SET ASSEMBLY	2116-050-99	1
501	COVER	2116-501-00	1
502	HOSE JOINT	2116-502-00	1
503	HOSE ADAPTOR	2116-503-00	1
504	EXHAUS HOSE	3320-044-00	1
505	AIR HOSE	3320-043-00	1
506	RING 24	3320-045-00	2
507	HOSE CLAMP	2116-507-00	2
508	SILENCER SHEET	2116-508-00	1
509	PIN 2X10	2116-509-00	1
61	SIDE HANDLE ASSY	21116-061-99	1
65	HEX WRENCH H5	9610-1006-00-00	1
66	SPANNER H13	8081-0008-00-00	1